

# Vari Clamp (Heavy Duty Vertical Clamp)

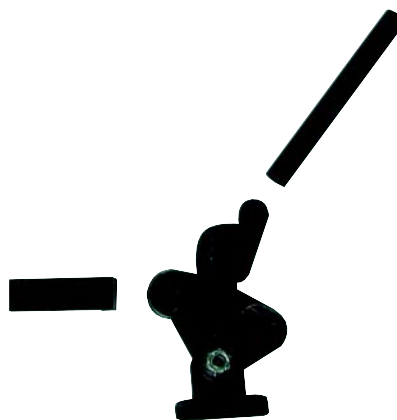


## HOLD DOWN ACTION

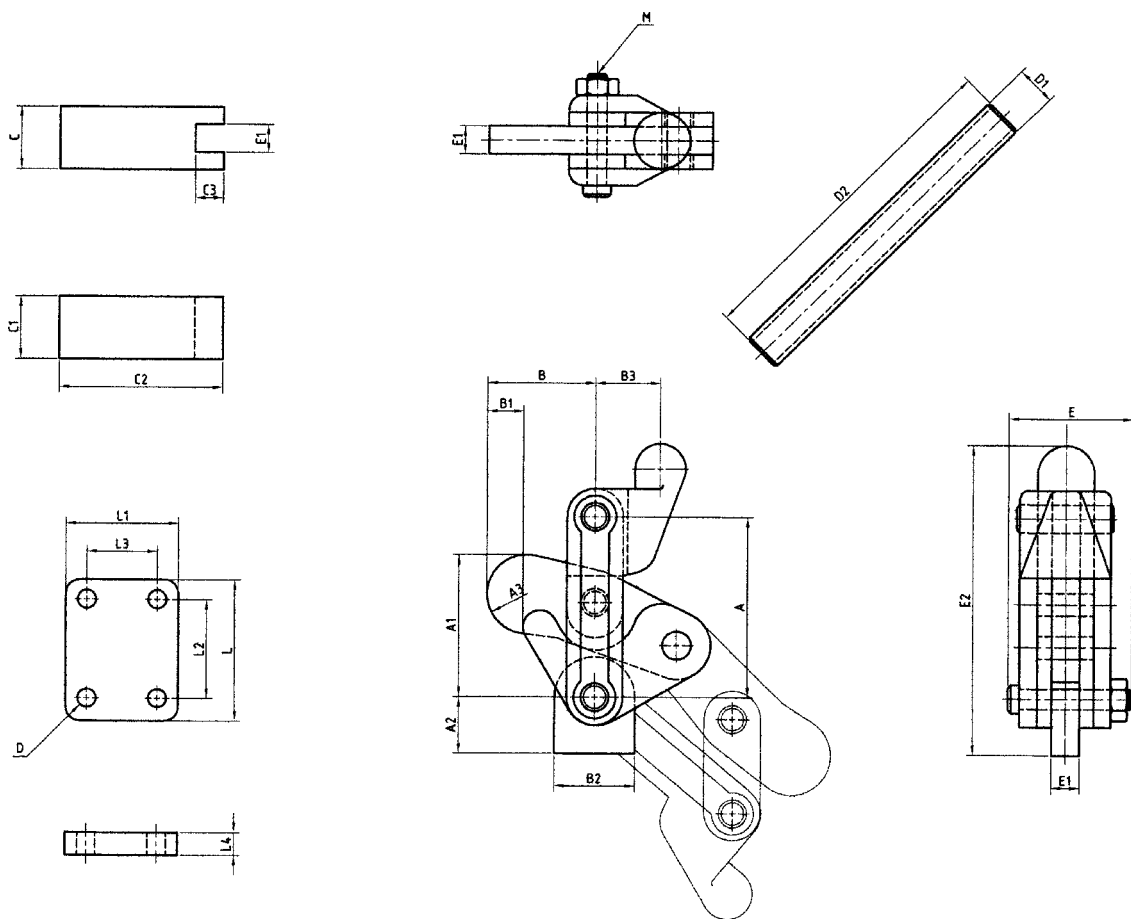
**VARI No. 1X**  
**VARI No. 2X**  
**VARI No. 3X**

Larger series of heavy duty clamps. Base, arm and handle pipe are supplied with clamp as a set for being weld to suit the application.

**Raw Material:** SS 41



Model	Holding Capacity	Shipping Weight	Drawing Movement	Bar Moves
VARI No. 1X	340 Kg	350 g	130°	205°
VARI No. 2X	900 Kg	1100 g	130°	205°
VARI No. 3X	1360 Kg	2140 g	130°	205°



Model	A	A1	A2	A3	B	B1	B2	B3	C	C1	C2	C3	D	D1	D2	E	E1	E2	L	L1	L2	L3	L4	M
VARI No. 1X	40	32.7	10	10	30.7	13.8	18	14	16	16	50	10	5.5	12.7	50	28.2	6	65.5	35	28	25	18	6	M5X0.80
VARI No. 2X	64	50.4	20	14	38.4	12.8	28.6	23	22.2	22.2	58	10	6.5	13.7	120	47	10	110	50	40	35	25	8	5/16-18
VARI No. 3X	82.6	73	28	18	57	26.3	38	26.5	25	25	72	15	8.5	22	137	60.8	12.3	137.5	60	50	40	30	8	3/8-16

# Vari Clamp (Heavy Duty Vertical Clamp)



# HOLD DOWN ACTION

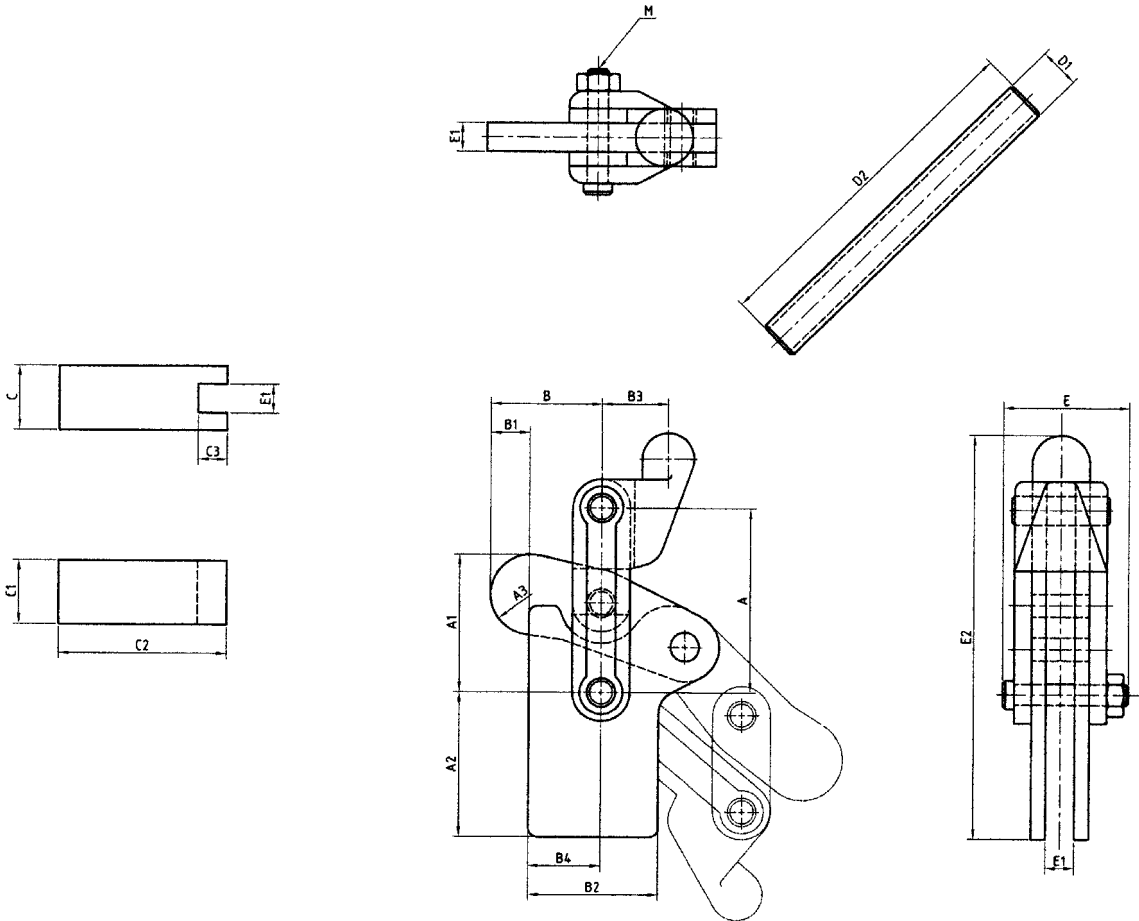
**VARI No. 1X-B**  
**VARI No. 2X-B**  
**VARI No. 3X-B**

Identical to V.1X, V.2X and V.3X except straight base.

**Raw Material:** SS 41



Model	Holding Capacity	Shipping Weight	Drawing Movement	Bar Moves
VARI No. 1X-B	340 Kg	330 g	130°	205°
VARI No. 2X-B	900 Kg	1100 g	130°	205°
VARI No. 3X-B	1360 Kg	2140 g	130°	205°



Model	A	A1	A2	A3	B	B1	B2	B3	B4	C	C1	C2	C3	D1	D2	E	E1	E2	M
VARI No. 1X-B	40	30	30	10	30.7	14.6	27	31.3	15	16	16	50	10	12.7	50	28.2	6	85.5	M5X0.80
VARI No. 2X-B	64	47.8	50	14	38.4	13.4	45	45	25	22.2	22.2	58	101	3.7	120	47	10	140	5/16-18.00
VARI No. 3X-B	82.6	73	63	18	57	32	50	45	25	25	25	72	15	22	137	60.8	12.3	172.5	3/8-16.00

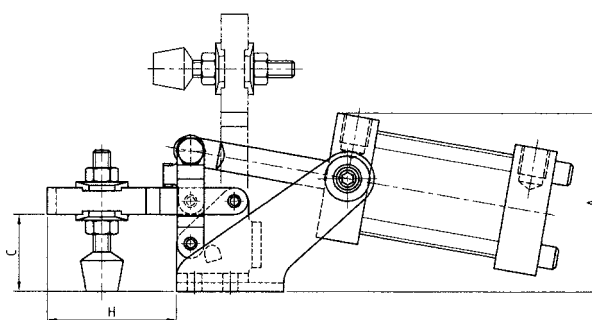
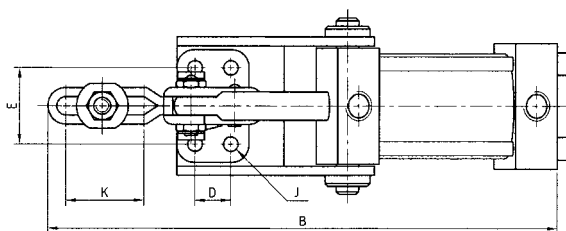
## Hold Down Action



## AIR CLAMP

### AC 250

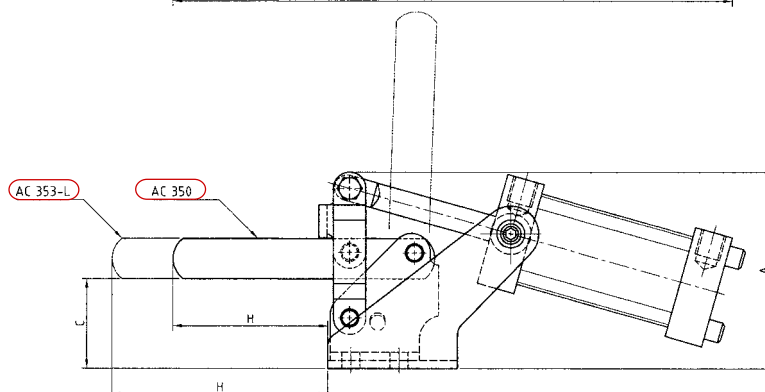
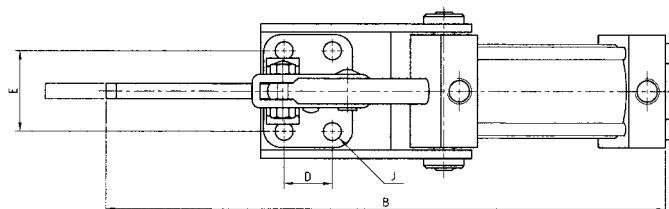
The smallest hold down air clamp can be used to increase productivity. U-bar allows spindle position to be adjustable. Clamping action operated by air cylinder instead of by hand.



Model	A	B	C	D	E	H	J	K	Holding Capacity	Shipping Weight	Bar moves	Port Size
AC 250	63	180.5	27	12.7	27	44	5.2	27.5	90 Kg	534 g	90°	1/8 NPT

### AC 350 AC 353-L

The medium size hold down air clamp available with solid bar, AC 350. A longer solid bar also available, AC 353-L. Furnished with bolt retainer and spindle assembly.



Model	A	B	C	D	E	H	J	Holding Capacity	Shipping Weight	Bar moves	Port Size
AC 350	77.4	220	35	19	31.8	61	7.1	225 Kg	787 g	92°	1/8 NPT
AC 353-L	77.4	244.4	35	19	31.8	85	7.1	110 Kg	787 g	92°	1/8 NPT

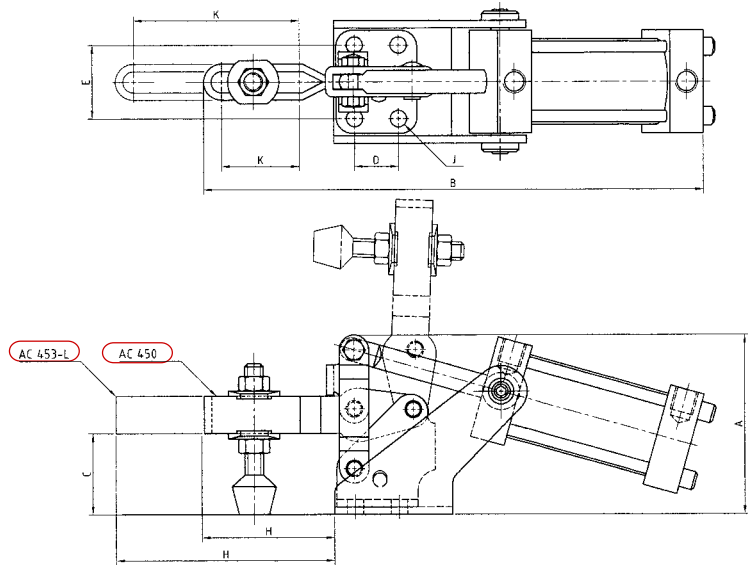
# Hold Down Action



# AIR CLAMP

## AC 450 AC 453-L

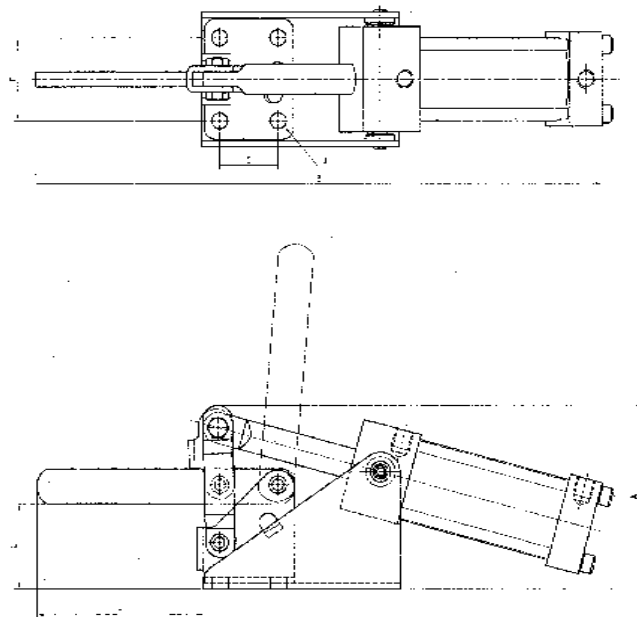
Popular hold down air clamps available with U-bar, AC 450 and an extra long U-Bar, AC 453-L. Spindle position is adjustable.



Model	A	B	C	D	E	H	J	K	Holding Capacity	Shipping Weight	Bar moves	Port Size
AC 450	77.35	215.6	35	19	31.8	56.2	7.1	33.5	225 Kg	787 g	92°	1/8 NPT
AC 453 -L	77.35	253.6	35	19	31.8	94.2	7.1	71.5	100 Kg	787 g	92°	1/8 NPT

## AC 550

The larger hold down air clamp available with solid bar. Furnished with bolt retainer and spindle assembly.



Model	A	B	C	D	E	H	J	K	Holding Capacity	Shipping Weight	Bar moves	Port Size
AC 550	97	307	46	31.8	45	90	8.7	-	340 Kg	1733 g	95°	1/8 NPT

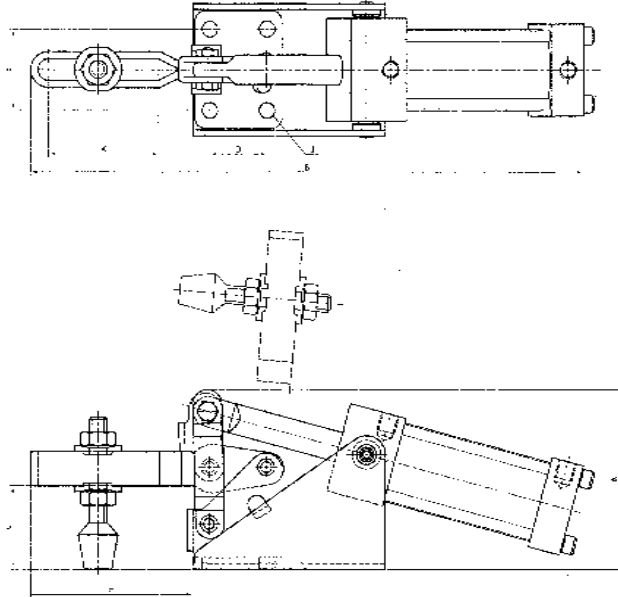
## Hold Down Action



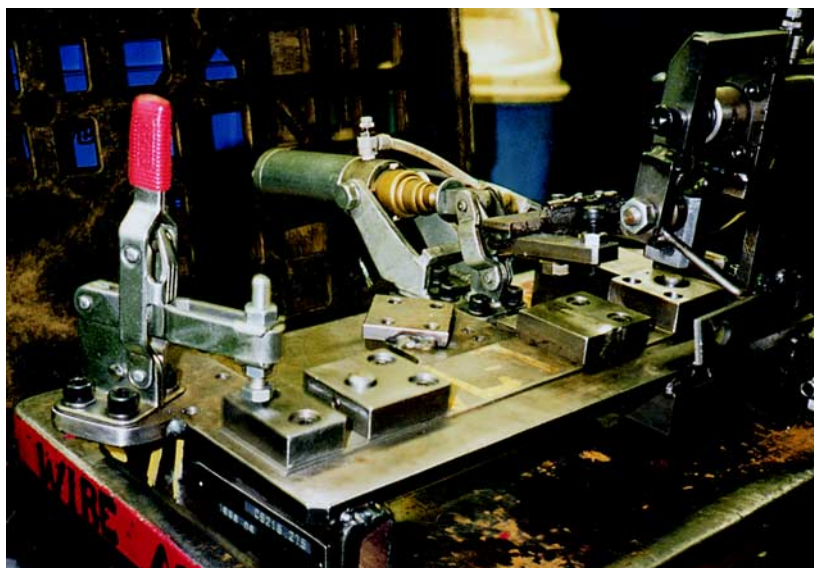
## AIR CLAMP

### AC 650

This large hold down air clamp available with U-bar that allows spindle position to be adjustable.



Model	A	B	C	D	E	H	J	K	Holding Capacity	Shipping Weight	Bar moves	Port Size
AC 650	97	307.00	46.00	31.80	45.00	90.00	8.70	61.00	272 Kg	1724 g	95°	1/8 NPT



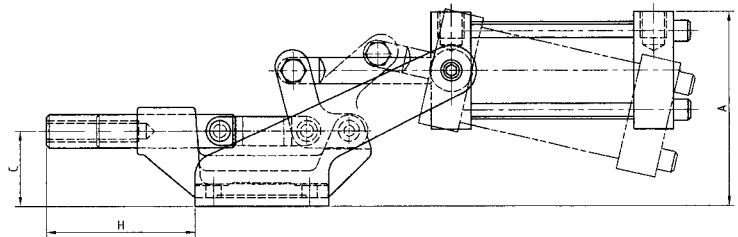
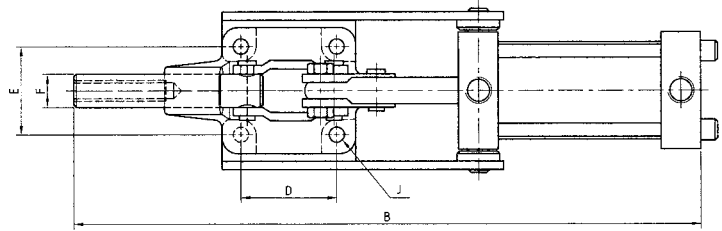
# Straight Line Action



# AIR CLAMP

## AC 100-SL

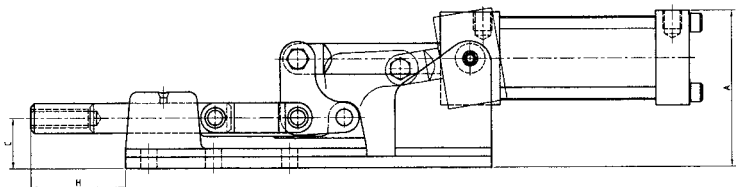
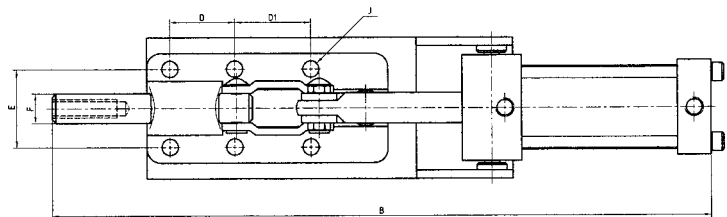
Small size of straight line action air clamp.  
Similar to SL 100 except operated by air cylinder not by hand.



Model	A	B	C	D	E	F	H	J	Holding Capacity	Shipping Weight	Plunger Travel	Plunger Thread	Port Size
AC 100 - SL	73.8	238.4	28.6	36.5	33.5	12.7	56.4	5.8	270 Kg	782 g	19	M8X1.25	1/8 NPT

## AC 350-SL

Larger size of straight line action air clamp.  
Similar to SL 350 except operated by air cylinder not by hand.



Model	A	B	C	D	D1	E	F	H	J	Holding Capacity	Shipping Weight	Plunger Travel	Plunger Thread	Port Size
AC 350 - SL	84	354.7	27	35	41	42	16	51	8.8	1100 Kg	2612 g	32	M10X1.5P	1/8 NPT